



# HAPPIJAC<sup>®</sup> Bed Lift WIRING DIAGRAM

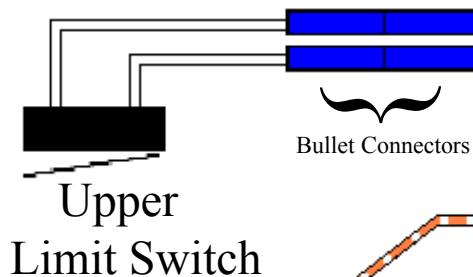
Color-coding or wire marking when wires are drawn will make final hook-up easier & quicker.

## WIRE SIZES

Wires to all switches need be no larger than 18 gauge. Wires to +12 V and ground must be 10 gauge multi-strand. Wires to motor must be at least 12 gauge.

Leads from Motor

Red to M2  
Black to M1

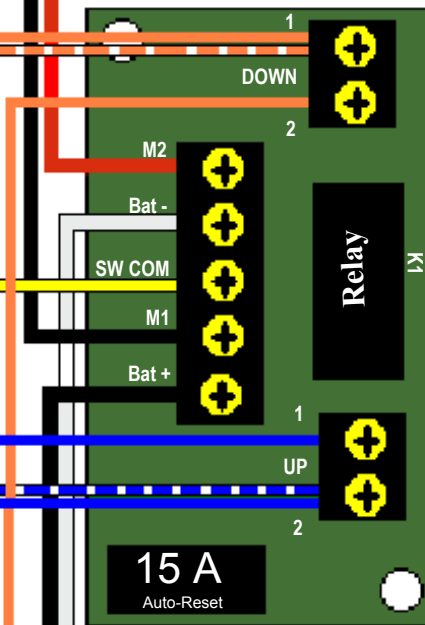
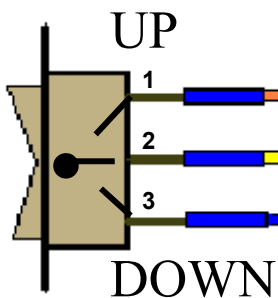


## MICRO-SWITCH WIRING

One of the wires from each micro-switch shares a terminal with the corresponding wire from the UP-DOWN switch. There is **no polarity** to the micro-switches.

## WIRING HINTS

Keep wire runs as short as possible & minimize number of connections for maximum current flow and best performance.



From battery +12 V  
lug at converter

10 Gauge

Chassis  
Ground